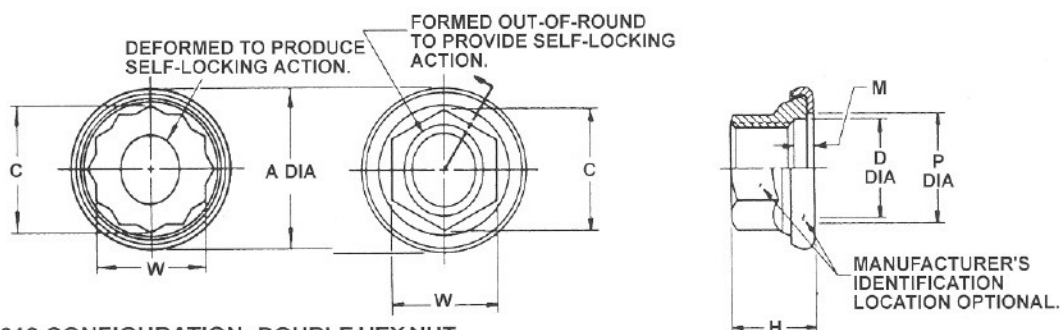


6 POINT CAPTIVE WASHER



-9 THRU -1612 CONFIGURATION : DOUBLE HEX NUT

-06 THRU -8 CONFIGURATION: HEX NUT

PART NO.	THREADS PER MIL-S-8879	A MAX	C MIN	D	H MAX	M	P MAX	W	AXIAL TENSILE STRENGTH LB MIN	APPROX. WEIGHT LBS/100
▲KFN542 -06	.1380-32UNJC-3B	.320	.207	.176 .171	.200	.097 .087	.181	.189 .181	13,000	.10
-08	.1640-32UNJC-3B	.340	.242	.202 .197	.240	.097 .087	.207	.220 .212	2,800	.17
-836	.1640-36UNJF-3B	.340	.242	.202 .197	.220	.097 .087	.207	.220 .212	2,800	.17
-3	.1900-32UNJF-3B	.363	.277	.228 .223	.243	.097 .087	.233	.251 .243	3,470	.24
-4	.2500-28UNJF-3B	.460	.348	.288 .283	.280	.097 .087	.293	.313 .306	6,200	.47
-5	.3125-24UNJF-3B	.560	.419	.352 .347	.340	.097 .087	.357	.376 .367	9,800	.78
-6	.3750-24UNJF-3B	.660	.491	.417 .412	.355	.097 .087	.422	.439 .430	13,000	.93
-7	.4375-20UNJF-3B	.760	.561	.484 .479	.400	.097 .087	.489	.502 .492	18,000	1.44
-8	.5000-20UNJF-3B	.860	.631	.551 .546	.430	.097 .087	.556	.564 .553	24,000	1.94
-9	.5625-18UNJF-3B	1.005	.700	.640 .635	.530	.115 .105	.645	.627 .616	33,000	3.08
-10	.6250-18UNJF-3B	1.100	.846	.710 .705	.575	.115 .105	.715	.752 .741	43,000	5.00
-12	.7500-16UNJF-3B	1.310	.987	.845 .840	.670	.125 .115	.850	.877 .865	61,000	7.88
-14	.8750-14UNJF-3B	1.480	1.130	.985 .980	.770	.145 .135	.990	1.002 .990	73,900	11.45
-1612	1.000-12UNJF-3B	1.690	1.271	1.125 1.120	.870	.165 .155	1.130	1.127 1.115	85,700	16.00

MATERIAL: Nut — Alloy steel per MIL-S-6049 (8740), MIL-S-5000 (4340), or MIL-S-5626 (4140).
Washer — Carbon steel.

HEAT TREAT: Nut — Rc 39-43 per MIL-H-6875.
Washer — Rc 40-45.

FINISH: KFN542-(*) — Nut and washer — Cadmium plated per QQ-P-416, Type II, Class 2. (-836 size finish: Cadmium plated per QQ-P-416, Type II, Class 2, plus olive drab chromate finish for identification purposes.)

PERFORMANCE: KFS1009, except axial tensile strength as tabulated.

APPLICATION: For use on standard to .032 oversize shank bolts.

PACKAGING: Parts are normally supplied in bulk packaging. Add "S" after dash number for spindle packaged nuts for use with K-Fast tools (-836 through -5 sizes only). Example: KFN542-3S.

NOTES: "C" and "W" dimensions apply before forming self-locking feature.