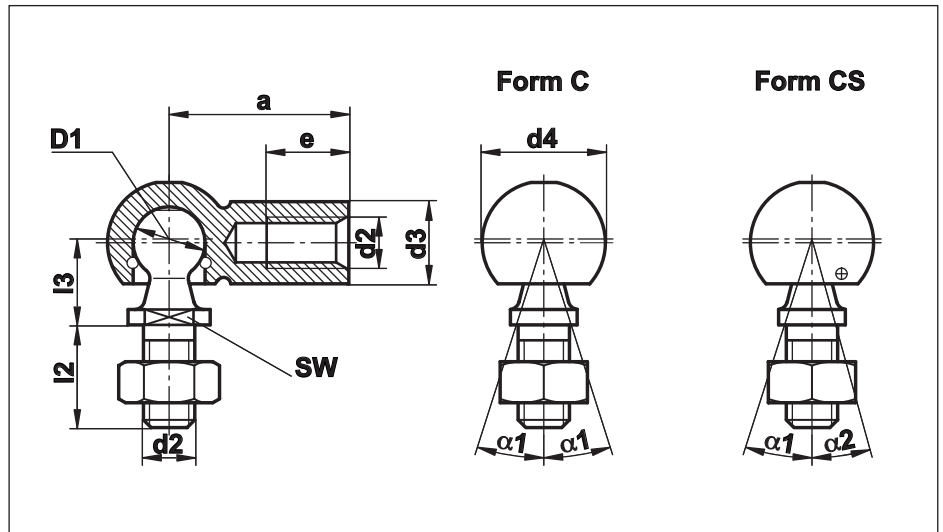


Angle Joints

Angle Joints to DIN 71802

consisting of ball stud to DIN 71803 and ball journal to DIN 71805

Form C with threaded stud and hexagon nut.
Form CS with threaded stud, hexagon nut and external clip



Size (D1)	a ±0,3	d2	d3 ±0,5	d4 ±0,5	e min	l2 ±0,3	l3 ±0,3	SW h14	α1 ≈	α2 ≈	Weight g
8	22	M 5	8	12,8	10,2	10,2	9	7	18	10	15,2
10	25	M 6	10	14,8	11,5	12,5	11	8	18	15	25,2
13	30	M 8	13	19,3	14,0	16,5	13	11	18	15	53,1
16	35	M 10	16	24,0	15,5	20,0	16	13	18	15	104,0
16	35	M 12	16	24,0	15,5	20,0	16	13	18	15	104,0
19	45	M 14x1,5	22	30,0	21,5	28,0	20	16	18	15	221,0
19	45	M 14x2	22	30,0	21,5	28,0	20	16	18	15	221,0

Materials:

Ball Journal: Steel, minimum strength $R_m = 500 \text{ N/mm}^2$

Ball Stud: Steel, minimum strength $R_m = 600 \text{ N/mm}^2$

Surface: blanc, zinc plated white, on request: yellow or black chromated

Alternative: stainless steel to 1.4305, Aisi 303

Ordering Details:

e.g. Angle Joint with external clip, Form CS with ball diameter $D1 = 10 \text{ mm}$:

Angle Joint DIN 71802 - CS 10

Left Hand Thread: Left hand thread only at the ball journal available:

Angle Joint DIN 71802 - CS 10 LH

Loose Fit: increased internal clearance available:

Angle Joint DIN 71802 - CSL 10