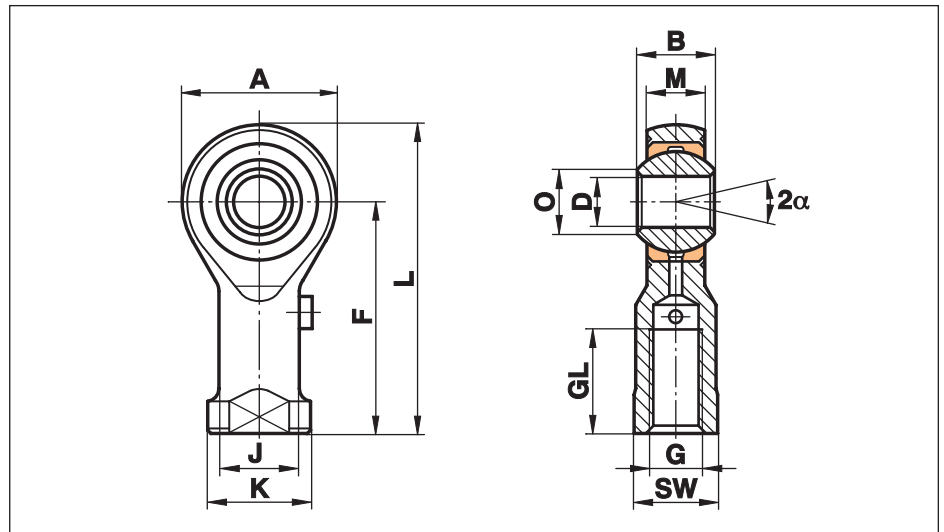


Rod Ends Series K - CETOP

Rod Ends for pneumatic cylinders to CETOP RP 103 P

All female Rod Ends series are available with CETOP dimensions for pneumatic cylinders

Connections to ISO 8139



Size (D)	B	M	A	F	L	K	J	O	SW	G	GL	Static load C ₀ kN	Dynamic load C kN	Limiting speed rev/min	for cylinder Ø
5	8	6,00	18	27	36	11	9,0	7,7	9	M 4	10				8 + 10
6	9	6,75	20	30	40	13	10,0	8,9	11	M 6	12				12 + 16
8	12	9,00	24	36	48	16	12,5	10,4	13	M 8	16				20
10	14	10,50	28	43	57	19	15,0	12,9	17	M 10x1,25	20				25 + 32
12	16	12,00	32	50	66	22	17,5	15,4	19	M 12x1,25	22				40 + 50
16	21	15,00	42	64	85	27	22,0	19,3	22	M 16x1,5	28		For load details see previous pages		50 + 63
20	25	18,00	50	77	102	34	27,5	24,3	32	M 20x1,5	33				80 + 100
25	31	22,00	60	94	124	42	33,5	29,6	36	M 24x2	42				125
30	37	25,00	70	110	145	51	40,0	34,8	41	M 27x2	51				125
35	43	28,00	80	125	165	56	46,0	37,7	50	M 36x2	56				160 + 200
40	49	35,00	90	142	187	69	57,0	44,2	60	M 42x2	60				250
50	60	45,00	116	160	218	78	65,0	55,9	65	M 48x2	65				320

Materials:

See previous pages

Ordering Details:

When ordering please specify Rod Ends series and thread, for example:

GI 10x1,25

GISW 16x1,5

GIRSW 30 M27x2