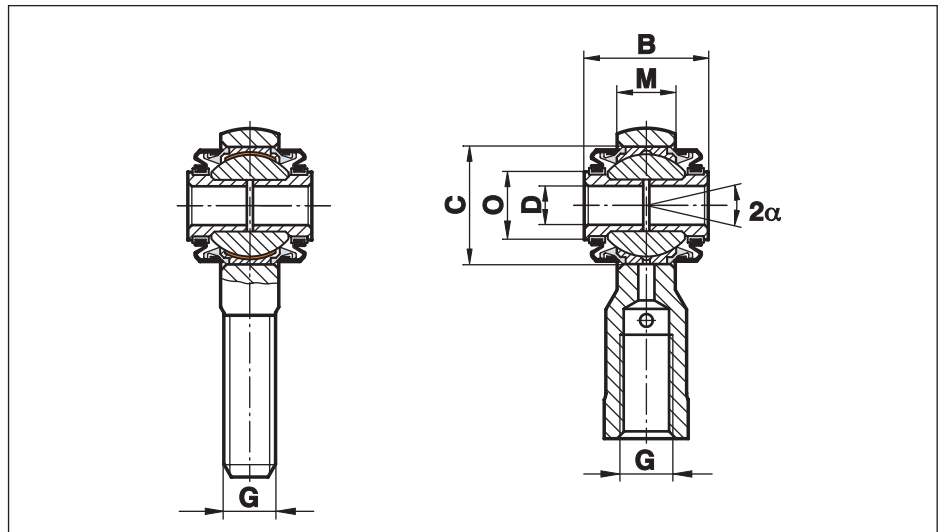


Rod Ends Series K - Sealed Version

Series G...-2RS

Sealed Rod Ends Series K
in the following versions:

- G.S
- G.XS
- G.RS
- G.SW
- G.XSW
- G.RSW



Size	D	B	M	C	O	G	Pivoting Angle α
8	6	19	9,0	18,0	10,5	M 8	10°
10	8	21	10,5	21,0	12,5	M 10	10°
12	10	23	12,0	25,5	15,5	M 12	10°
14	12	26	13,5	29,0	17,0	M 14	12°
16	14	28	15,0	32,0	18,5	M 16	12°
20	18	32	18,0	38,0	22,0	M 20x1,5	12°

Materials:

Rod Ends and Spherical Plain Bearings:

See description of respective version

2RS seals:

NBR-Elastomer, temperature resistance -30° to +120° Celsius,
or -22° to +248° Fahrenheit, resistant to mineral oils, grease and petrol

Retainers:

Brass

Spacers:

Stainless steel to 1.4305, Aisi 303