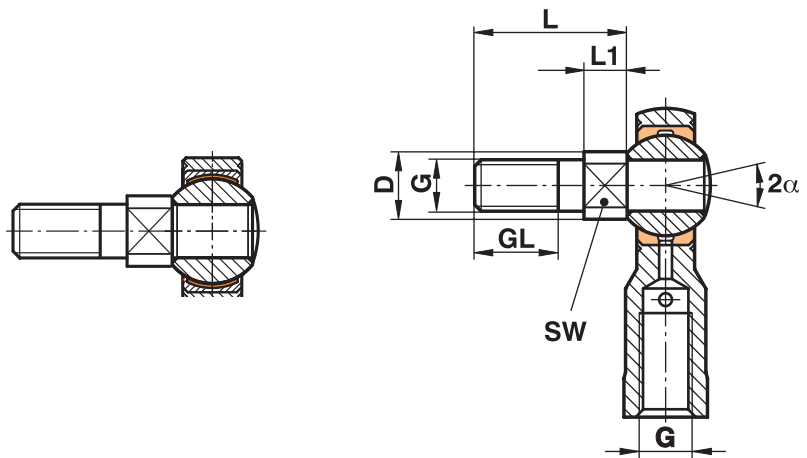


# Rod Ends Series K - With Threaded Bolt

## Series G.....-BO

Rod Ends and Spherical Plain Bearings with threaded bolt.  
For use as a right angle connector:

- G.S
- G.XS
- G.RS
- G.SW
- G.XSW
- G.RSW



Size	L	L1	GL	G	D	SW	Weight of bolt g
5	16,0	5,0	9	M 5	7,8	7	5
6	18,5	5,5	10	M 6	9,0	8	10
8	23,5	6,5	13	M 8	10,5	8	12
10	28,0	7,0	17	M 10	13,0	12	25
12	32,5	7,5	20	M 12	15,0	14	40
14	37,5	8,5	22	M 14	17,0	14	65
16	42,5	9,5	24	M 16	19,0	17	90
20	57,0	12,0	35	M 20	24,0	22	200

### Materials:

**Rod Ends and Sphericals:**

See description of respective version

**Threaded bolt:**

Free-cutting steel to 9SMnPb28K, 12L13, zinc plated or stainless steel to 1.4305, Aisi 303