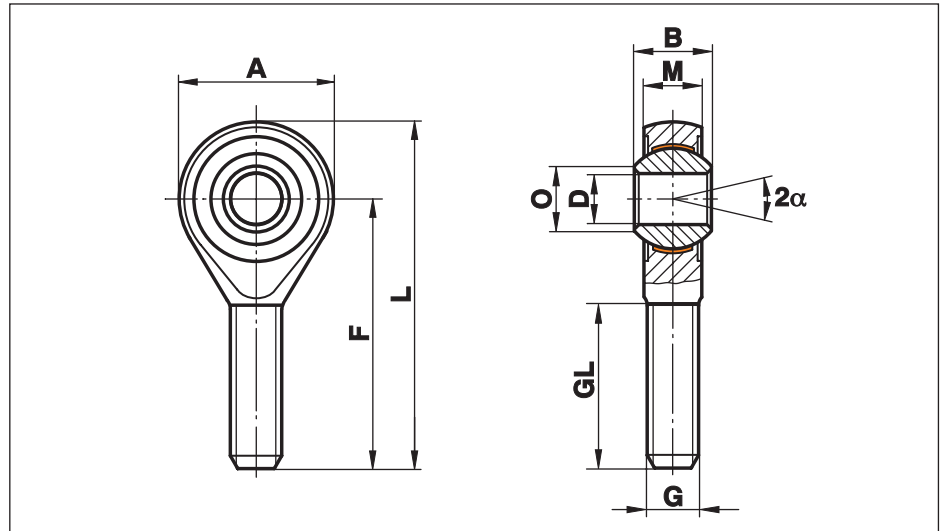


Rod Ends Series K - Maintenance Free

Series GAOW

Rod Ends with male thread made from free-cutting or heat-treated steel, zinc plated, maintenance free

For use in applications involving minimum axial loads and limited oscillating movements



Size (D)	B	M	A	F	L	O	G	GL	Static load C ₀ kN	Dynamic load C kN	Limiting speed rev/min	Weight g
4	7	5,25	14	30	37	6,5	M 4	19	2,6	0,8	not to be used for complete revolutions	9
5	8	6,00	18	33	42	7,7	M 5	20	4,3	1,1		13
6	9	6,75	20	36	46	8,9	M 6	22	6,0	1,4		20
8	12	9,00	24	42	54	10,4	M 8	25	11,0	2,2		33
10	14	10,50	28	48	62	12,9	M 10	29	17,4	3,1		56
12	16	12,00	32	54	70	15,4	M 12	33	25,5	4,0		87
14	19	13,50	36	60	78	16,8	M 14	38	26,0	5,0		129
16	21	15,00	42	66	87	19,3	M 16	40	36,5	7,0	189	
20	25	18,00	50	78	103	24,3	M 20x1,5	47	53,0	9,5	348	

Materials:

Housing: up to size 12 turned from free-cutting steel to 9SMnPb28K, 12L13
from size 14 forged from heat-treated steel to C22, M1023
PTFE glass fibre fabric on the running surface

Ball: Bearing steel to 100Cr6, Aisi 52100, hardened, ground, polished