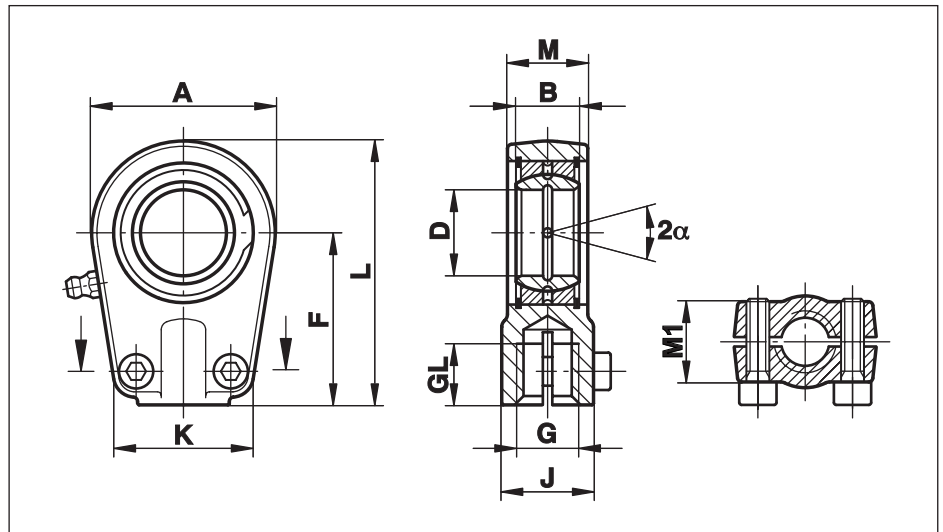


Hydraulic Rod Ends

Series FPR...U

Rod Ends identical with FPR...N, in addition fastened by hexagon socket head cap screws to DIN 912-8.8. Spherical Plain Bearings, regreasable, fixed with snap rings

For use with shortest relay distances and maximum stroke utilization



Size (D)	B	M	M1	A	F	L	K	J	G	GL	Torque Nm	Static load C ₀ kN	Dynamic load C kN	Pivoting angle α	Weight g
20	16	19	17	56	50	80,0	46	25	M 16x1,5	17	25	81,1	30	9	400
25	20	23	21	56	50	80,0	46	25	M 16x1,5	17	25	72,0	48	7	475
30	22	28	26	64	60	94,0	50	32	M 22x1,5	23	25	106,0	62	6	700
35	25	30	28	78	70	112,0	66	40	M 28x1,5	29	49	153,0	80	6	1150
40	28	35	33	94	85	135,0	76	49	M 35x1,5	36	49	250,0	100	7	2075
50	35	40	37	116	105	168,0	90	61	M 45x1,5	46	86	365,0	156	6	3575
60	44	50	46	130	130	200,0	120	75	M 58x1,5	59	210	400,0	245	6	6200
70	49	55	51	154	150	232,0	130	86	M 65x1,5	66	210	540,0	315	6	9200
80	55	60	55	176	170	265,0	160	105	M 80x2	81	410	670,0	400	6	13200
90	60	65	60	206	210	322,0	180	124	M 100x2	101	410	980,0	490	5	19600
100	70	70	65	231	235	360,0	200	138	M 110x2	111	710	1120,0	610	7	26310
110	70	80	74	266	265	407,5	220	152	M 120x3	125	710	1700,0	655	6	39200
120	85	90	84	340	310	490,0	257	172	M 130x3	135	710	2900,0	950	6	78000

Materials:

Housing: up to size 80 forged from heat-treated steel to C45, Aisi 1045
from size 90 made from nodular cast iron GS 400

Bearing: Steel on steel bearing GE...E, requiring lubrication
on request also available with Spherical Plain Bearing GE...LO

Greasing: fitted with hydraulic grease nipples to DIN 71412

On request: with left hand thread (FPL...U)