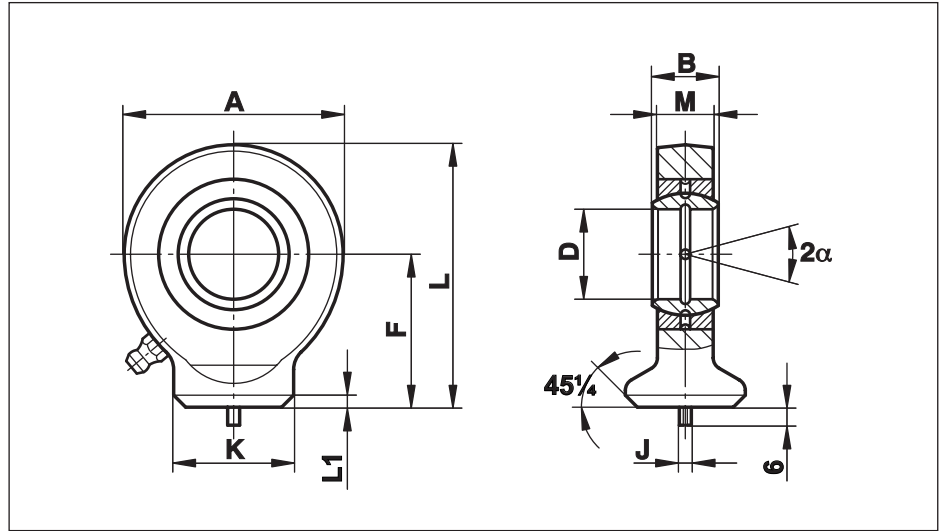


Hydraulic Rod Ends - Weld-On Base

Series FS...C

Rod Ends series E to DIN ISO 12240-4, type S with circular surface for weld-on. Spherical Plain Bearings, regreasable, fixed through caulking on both sides

For Weld-on to piston Rod Ends



Size (D)	B	M	A	F	L	L1	K	J	Static load C ₀ kN	Dynamic load C kN	Pivoting angle α	Weight g
10	9	7	29	24	38,5	2,0	15,0	3	15,6	8,15	12	40
12	10	8	34	27	44,0	2,0	17,5	3	21,6	10,80	11	65
15	12	10	40	31	51,0	2,5	21,0	4	32,0	17,00	8	120
17	14	11	46	35	58,0	3,0	24,0	4	40,0	21,20	10	180
20	16	13	53	38	64,5	3,0	27,5	4	54,0	30,00	9	250
25	20	17	64	45	77,0	4,0	33,5	4	72,0	48,00	7	450
30	22	19	73	51	87,5	4,0	40,0	4	95,0	62,00	6	675
35	25	21	82	61	102,0	4,0	47,0	4	125,0	80,00	6	950
40	28	23	92	69	115,0	5,0	52,0	4	156,0	100,00	7	1400
45	32	27	102	77	128,0	5,0	58,0	6	208,0	127,00	7	1910
50	35	30	112	88	144,0	6,0	62,0	6	250,0	156,00	6	2650
60	44	38	135	100	167,5	8,0	70,0	6	390,0	245,00	6	4600
70	49	42	160	115	195,0	10,0	80,0	6	510,0	315,00	6	7000
80	55	47	180	141	231,0	10,0	95,0	6	620,0	400,00	6	10800

Materials:

Housing: St 52-3, forged

Bearing: Steel on steel bearing GE...E, requiring lubrication
On request: available with maintenance free Spherical Plain Bearing GE...EC (see page 48) or in sizes 12, 20, 25, 40, 50, 70, 80, with Spherical Plain Bearing GE...LO (see page 58), requiring lubrication

Greasing: up to size 12 without lubrication fitting
 from size 15 - 20 fitted with grease hole in housing
 from size 25 fitted with hydraulic grease nipples to DIN 71412

On request: Housing: Stainless steel to 1.4401, Aisi 316, forged, from size 45 turned
 Bearing: available with maintenance free stainless steel Spherical Plain Bearing GE...EC-NIRO (see page 49) in sizes 12, 15, 17, 20, 25, 30, 35, 40