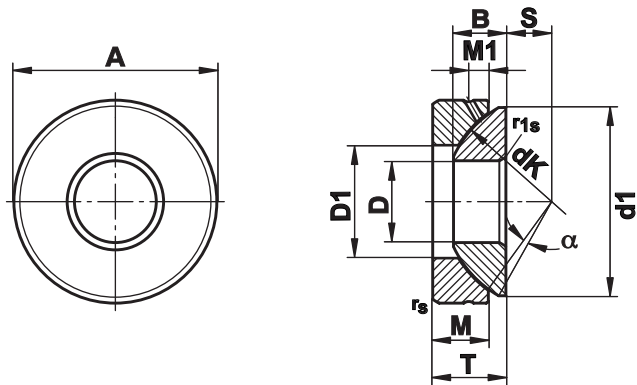


Spherical Plain Thrust Bearings - Steel on Steel

Series GE...AX

Spherical Plain Thrust Bearings steel on steel.
Treated with molybdenum disulphide mos2, regreasable

For use at axial loads



Size (D)	B	M	A	T	S	M1	r _s , r _{1s} min	d ₁ max	d ₁ min	d _k	Axial load kN		Pivoting angle α ≈	Weight g
											Static C ₀	Dynamic C		
10 ⁰ _{-0,008}	7,5	7,0	30 ⁰ _{-0,009}	9,5 ^{+0,25} _{-0,40}	7,0	3,0	0,6	27,5	15,5	32	136	27	5	36
12 ⁰ _{-0,008}	9,5	9,3	35 ⁰ _{-0,011}	13,0 ^{+0,25} _{-0,40}	8,0	4,0	0,6	32,0	18,0	38	188	37	5	72
15 ⁰ _{-0,008}	11,0	10,8	42 ⁰ _{-0,011}	15,0 ^{+0,25} _{-0,40}	10,0	5,0	0,6	39,0	22,5	46	267	53	6	108
17 ⁰ _{-0,008}	11,8	11,2	47 ⁰ _{-0,011}	16,0 ^{+0,25} _{-0,40}	11,0	5,0	0,6	43,5	27,0	52	311	61	4	137
20 ⁰ _{-0,010}	14,5	13,8	55 ⁰ _{-0,013}	20,0 ^{+0,25} _{-0,40}	12,5	6,0	1,0	50,0	31,0	60	425	84	5	246
25 ⁰ _{-0,010}	16,5	16,7	62 ⁰ _{-0,013}	22,5 ^{+0,25} _{-0,40}	14,0	6,0	1,0	58,5	34,5	68	672	134	5	415
30 ⁰ _{-0,010}	19,0	19,0	75 ⁰ _{-0,013}	26,0 ^{+0,25} _{-0,40}	17,5	8,0	1,0	70,0	42,0	82	909	182	5	614
35 ⁰ _{-0,012}	22,0	20,7	90 ⁰ _{-0,015}	28,0 ^{+0,25} _{-0,40}	22,0	8,0	1,0	84,0	50,5	98	1330	266	5	973
40 ⁰ _{-0,012}	27,0	21,5	105 ⁰ _{-0,015}	32,0 ^{+0,25} _{-0,40}	24,5	9,0	1,0	97,0	59,0	114	1810	357	6	1590
45 ⁰ _{-0,012}	31,0	25,5	120 ⁰ _{-0,015}	36,5 ^{+0,25} _{-0,40}	27,5	11,0	1,0	110,0	67,0	128	2470	486	6	2240
50 ⁰ _{-0,012}	33,0	30,5	130 ⁰ _{-0,018}	42,5 ^{+0,25} _{-0,40}	30,0	10,0	1,0	120,0	70,0	139	2810	554	6	3140
60 ⁰ _{-0,015}	37,0	34,0	150 ⁰ _{-0,018}	45,0 ^{+0,25} _{-0,50}	35,0	12,5	1,0	140,0	84,0	160	3820	748	6	4630
70 ⁰ _{-0,015}	42,0	36,5	160 ⁰ _{-0,025}	50,0 ^{+0,25} _{-0,50}	35,0	13,5	1,0	153,0	94,5	176	4610	902	3	5370
80 ⁰ _{-0,015}	43,5	38,0	180 ⁰ _{-0,025}	50,0 ^{+0,25} _{-0,50}	42,5	14,5	1,0	172,0	107,5	197	5700	1110	4	6910
100 ⁰ _{-0,020}	51,0	46,0	210 ⁰ _{-0,030}	59,0 ^{+0,25} _{-0,60}	45,0	15,0	1,1	198,0	127,0	222	6470	1300	4	11000
120 ¹⁾ _{-0,020}	53,5	50,0	230 ⁰ _{-0,030}	64,0 ^{+0,25} _{-0,60}	52,5	16,5	1,1	220,0	145,0	250	7580	1530	3	14000
140 ¹⁾ _{-0,025}	61,0	54,0	260 ⁰ _{-0,035}	72,0 ^{+0,35} _{-0,70}	52,5	23,0	1,5	243,0	177,0	274	9040	1820	3	19100
160 ¹⁾ _{-0,025}	66,0	58,0	290 ⁰ _{-0,035}	77,0 ^{+0,35} _{-0,70}	65,0	23,0	1,5	271,0	200,0	313	10440	2100	2	25000
180 ¹⁾ _{-0,025}	74,0	62,0	320 ⁰ _{-0,040}	86,0 ^{+0,35} _{-0,70}	67,5	26,0	1,5	299,0	225,0	340	12070	2430	4	32800
200 ¹⁾ _{-0,030}	80,0	66,0	340 ⁰ _{-0,045}	87,0 ^{+0,35} _{-0,80}	70,0	27,0	1,5	320,0	247,0	365	15280	3070	1	35400

Materials:

Housing disk: Bearing steel to 100Cr6, Aisi 52100, hardened, ground, phosphated treated with molybdenum disulphide

Inner disk: Bearing steel to 100Cr6, Aisi 52100, hardened, ground, phosphated treated with molybdenum disulphide

¹⁾ Price and availability on request