

Rubber Seals

RERS

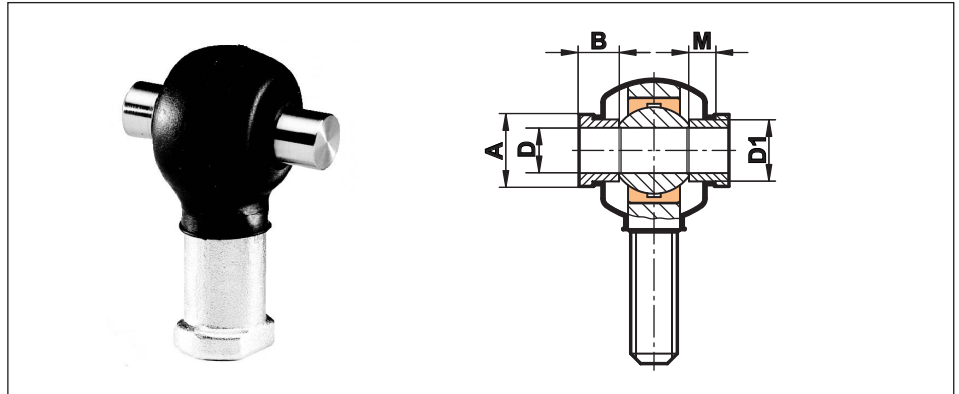
Rubber Protector Caps
made from Neoprene

Protects against dust, chemical substances and aggressive environment. Resistant to oil, grease, saltwater, chemical components and other substances.

Temperature range from -20° till +120° Celsius or -4° till +248° Fahrenheit.

Can be completely filled with grease. Mounted easily with Seeger retaining pliers

* Spacers separately on request

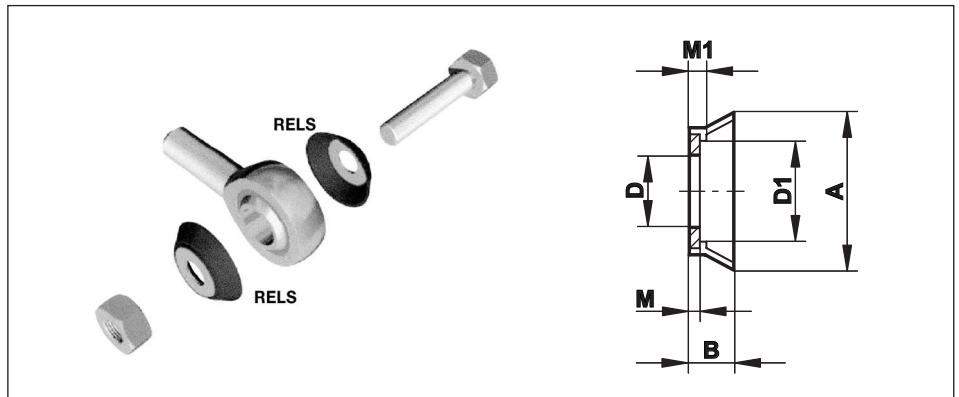


Rod End Size	Rubber Protector Cap Type	Spacers Type*	D	D1	B	M	A
6	RERS 1	DR 6	6	8,7	6	4	11
8	RERS 1	DR 8	8	10,3	6	4	12
10	RERS 2	DR 10	10	12,5	6	4	14
12	RERS 2	DR 12	12	15,0	8	6	17
14	RERS 3	DR 14	14	16,8	8	6	19
16	RERS 3	DR 16	16	19,0	8	6	21
18	RERS 3	DR 18	18	21,8	8	6	25
20	RERS 4	DR 20	20	24,3	10	8	28
22	RERS 4	DR 22	22	25,7	10	8	29
25	RERS 4	DR 25	25	29,7	10	8	33
30	RERS 5						
35	RERS 5						

RELS

Washer Seals
Rubber Seals vulcanized to stainless steel washer rings

Prevents dirt entering the mating surface.
Easily mounted.
Temperature resistant up to +110° Celsius or +230° Fahrenheit



Rod End / Spherical Plain Bearing size	Washer Seal Type	D	D1	B	M	M1	A
5	RELS 5	5,25	8,3	2,4	0,50	0,8	11,2
6	RELS 6	6,25	9,5	3,1	0,69	0,9	12,7
8	RELS 8	8,25	12,4	5,1	1,20	1,4	17,8
10	RELS 10	10,25	13,5	5,6	1,20	1,4	20,3
12	RELS 12	12,25	18,5	6,4	1,20	1,7	28,6
14	RELS 14	14,25	18,5	6,4	1,20	1,7	28,6
16	RELS 16	16,25	22,4	6,8	1,20	1,7	31,7
18	RELS 18	18,25	22,6	8,3	1,20	1,7	32,7
20	RELS 20	20,25	25,2	10,2	1,20	1,7	38,1
25	RELS 25	25,25	33,8	12,7	1,50	2,3	53,3
30	RELS 30	30,25	55,9	14,0	1,50	2,3	56,7