

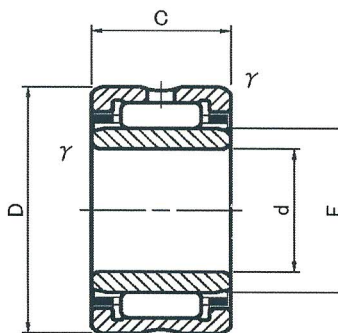
MACHINED RING NEEDLE ROLLER BEARINGS STAINLESS STEEL

WITH INNER RING



NA49..M, NKI..M TYPE

**STAINLESS
STEEL!!**



NA49...M, NKI...M

Shaft Diameter (mm)	Designation		Dimensions (mm)				Standard mounting dimensions (mm)			Basic dynamic load rating	Basic static load rating	Limiting speed	Weight
			D	C	1) γ s min	F	da		Da MAX				
d	NA49	NKI					MIN	MAX		Gr N	Gor N	2) rpm	g
5	—	NKI 5/12M	15	12	0.3	8	7	7.7	13	4000	3700	32000	11.9
5	—	NKI 5/16M	15	16	0.3	8	7	7.7	13	5600	5800	32000	16.7
6	NA 496M	—	15	10	0.15	8	7.2	7.7	13.8	3100	2700	32000	9.1
6	—	NKI 6/12M	16	12	0.3	9	8	8.7	14	4400	4200	30000	13
6	—	NKI 6/16M	16	16	0.3	9	8	8.7	14	6000	6500	30000	17.5
7	NA 497M	—	17	10	0.15	9	8.2	8.7	15.8	3600	2800	30000	11.2
7	—	NKI 7/12M	17	12	0.3	10	9	9.7	15	4700	4800	28000	14.3
7	—	NKI 7/16M	17	16	0.3	10	9	9.7	15	6500	7300	28000	19.2
8	NA 498M	—	19	11	0.2	10	9.2	9.7	17.4	4900	4000	28000	15
9	—	NKI 9/12M	19	12	0.3	12	11	11.5	17	5200	5800	26000	16.7
9	—	NKI 9/16M	19	16	0.3	12	11	11.5	17	7300	8900	26000	22.5
9	NA 499M	—	20	11	0.3	12	11	11.5	18	5200	5000	26000	16.7
10	NA 4900M	—	22	13	0.3	14	12	13	20	7300	8000	24000	24
10	—	NKI 10/16M	22	16	0.3	14	12	13	20	9400	10900	24000	30
10	—	NKI 10/20M	22	20	0.3	14	12	13	20	11800	14800	24000	38
12	NA 4901M	—	24	13	0.3	16	14	15	22	7700	8800	23000	26.5
12	—	NKI 12/16M	24	16	0.3	16	14	15	22	9800	12000	23000	33.5
12	—	NKI 12/20M	24	20	0.3	16	14	15	22	12400	16300	23000	42.5
15	—	NKI 15/16M	27	16	0.3	19	17	18	25	11200	14900	21000	39.5
15	—	NKI 15/20M	27	20	0.3	19	17	18	25	14100	20200	21000	50
15	NA 4902M	—	28	13	0.3	20	17	19	26	8700	11000	20000	35
17	NA 4903M	—	30	13	0.3	22	19	21	28	9400	12400	18000	39
20	NA 4904M	—	37	17	0.3	25	22	24	35	16800	20000	16000	78.5
25	NA 4905M	—	42	17	0.3	30	27	29	40	18900	24500	13000	92.5

1) Smallest permissible chamfer dimension.

2) Suitable for oil lubrication. In case of grease lubrication, up to 60% of this value.

* NKI type of 8mm or less bore diameter (d) is without oil holes.

Oil hole on these small sizes is also available on request.