

# ABTWE ABWTE-V

Imperial Spherical Bearing – Wide Series  
Self Lubricating

# E Type High Performance Racing Series

### Outer race

Corrosion resistant steel  
AMS 5643, H1150

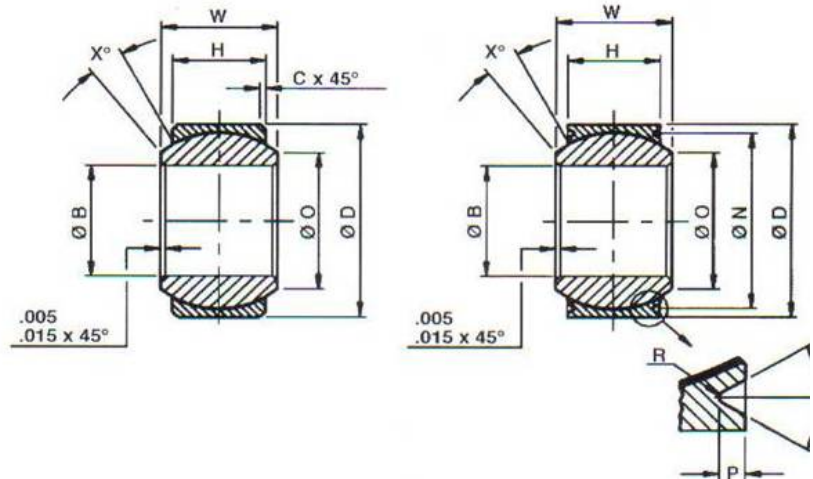
### Ball

Corrosion resistant steel  
AMS 5630, Rc 55 to 62

### Liner

Rose 'D' type enriched

In accordance  
with SAE AS 81820



Part Number	B	D	W	H	O	C	N	P	R	X	Max Static Radial Load	Max Dyn Radial Load	Weight
	Bore Dia	Race O/dia	Ball Width	Race Width	Ball Face Dia	Race Chamfer	Groove PCD	Groove Depth	Groove Root Radius	Angle			
ABTWE	+0.000	+0.000	+0.00	+0.005	Min	+0.005	+0.000	+0.000		Deg	lbf	lbf	lbs
ABWTE-V	-0.0005	-0.0005	-0.002	-0.005		-0.005	-0.008	-0.010					
3	.1900	.6250	.437	.327	.300	.015	.563	.025	.005/.012	15	10,456	4,900	.031
4	.2500	.6250	.437	.327	.300	.015	.563	.025	.005/.012	15	11,700	4,900	.031
5	.3125	.6875	.437	.317	.401	.015	.625	.035	.010/.012	14	12,480	6,050	.035
6	.3750	.8125	.500	.406	.471	.025	.712	.035	.010/.017	8	18,720	8,310	.060
7	.4375	.9375	.562	.442	.542	.025	.837	.035	.010/.017	10	23,400	11,750	.080
8	.5000	1.0000	.625	.505	.612	.025	.900	.055	.010/.017	9	29,640	14,950	.100
9	.5625	1.1250	.687	.536	.726	.025	1.025	.055	.010/.017	10	36,660	18,100	.135
10	.6250	1.1875	.750	.567	.752	.025	1.087	.055	.010/.017	12	41,340	20,250	.160
12	.7500	1.3750	.875	.630	.892	.035	1.251	.055	.010/.017	13	53,820	26,200	.240
14	.8750	1.6250	.875	.755	1.060	.035	1.501	.055	.010/.017	6	72,612	33,600	.350

Dimensions in inches

### No Load Rotational Breakout Torque

Bore Size	lbf.in
4 - 6	3.0 - 8.0 lb.in
7 - 12	4.0 - 10.0 lb.in
14	5.0 - 12.0 lb.in

