

# ABYTE ABYTE-V

Imperial Spherical Bearing – High Misalignment Series  
Self Lubricating

# E Type High Performance Racing Series

### Outer race

Corrosion resistant steel  
AMS 5643. H1150

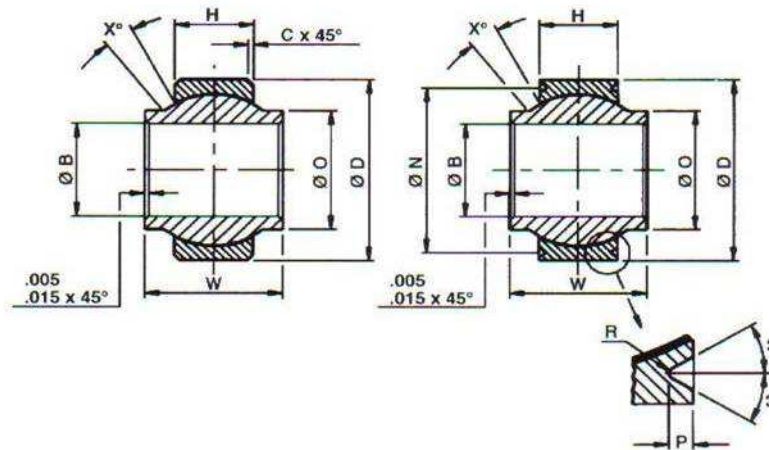
### Ball

Corrosion resistant steel  
AMS 5630. Rc 55 to 62

### Liner

Rose 'D' type enriched

In accordance  
with SAE AS 81820



Part Number	B	D	W	H	O	C	N	P	R	X	Max Static Radial Load	Max Dyn Radial Load	Weight
	Bore Dia	Race O/dia	Ball Width	Race Width	Shoulder Dia	Race Chamfer	Groove PCD	Groove Depth	Groove Root Radius	Angle			
ABYTE	+0.000	+0.000	+0.00	+0.005	Min	+0.005	+0.00	+0.00		Deg	lbf	lbf	lbs
ABYTE-V	-0.0005	-0.0005	-0.002	-0.005		-0.005	-0.008	-0.010					
4	.2500	.7400	.593	.255	.380	.017	.680	.030	.005/.015	24	10,644	3,800	.036
5	.3125	.9060	.813	.345	.500	.027	.808	.040	.010/.020	23	10,644	3,800	.068
6	.3750	.9060	.813	.345	.500	.027	.808	.040	.010/.020	23	19,585	7,200	.068
7	.4375	1.0000	.875	.345	.600	.027	.902	.040	.010/.020	22	21,163	8,100	.095
8	.5000	1.1250	.937	.401	.669	.027	1.027	.040	.010/.020	20	26,566	10,900	.159
10	.6250	1.3750	1.200	.567	.844	.027	1.277	.040	.010/.020	20	48,842	20,000	.245
12	.7500	1.5625	1.280	.620	.950	.039	1.440	.060	.010/.020	18	57,108	24,200	.315
14	.8750	1.7500	1.400	.625	1.110	.039	1.628	.060	.010/.020	18	63,365	27,600	.430

Dimensions in inches

No Load Rotational Breakout Torque	
Bore Size	lbf.in
4 - 6	3.0 - 8.0 lb.in
7 - 12	4.0 - 10.0 lb.in
14	6.0 - 12.0 lb.in

