

# ARYTE-E ARYTLE-E

Imperial Rod End – High Misalignment Series  
Self Lubricating

# E Type High Performance Racing Series

### Rod End housing

Corrosion resistant steel  
AMS 5643. Rc 36 to 42

### Outer race

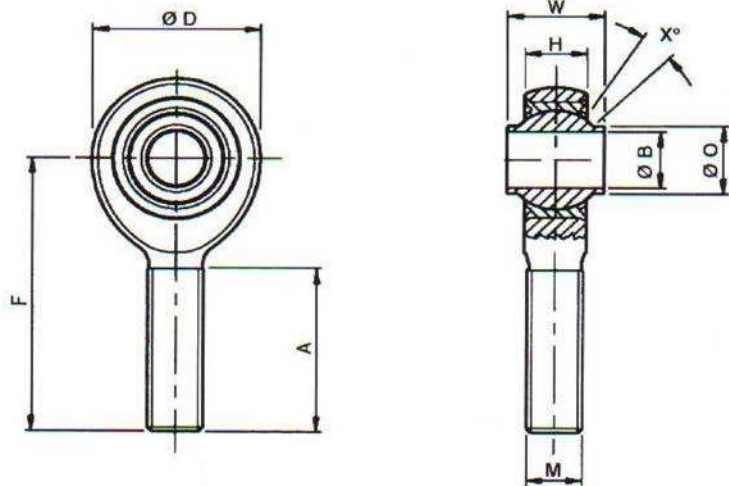
Corrosion resistant steel  
AMS 5643. H1150

### Ball

Corrosion resistant steel  
AMS 5630. Rc 55 to 62

### Liner

Rose 'D' type enriched  
In accordance  
with SAE AS 81820



Part Number	B	W	H	O	D	F	A	M	X	Max Static Radial Load	Weight
	Bore Dia	Ball Width	Head Width	Ball Face Dia	Head O/dia	Centre Length	Thread Length	Thread Size	Angle		
ARYTE-E	+0.000	+0.000	+0.005	Ref	+0.010	+0.010	+0.031	UNF-3A	Deg	lbf	lbs
ARYTLE-E	-0.0005	-0.005	-0.005		-0.010	-0.010	-0.031				
4	.2500	.593	.265	.380	1.000	1.938	1.25	.3750-24	23	9,340	.110
5	.3125	.813	.355	.500	1.125	2.125	1.375	.4375-20	22	10,065	.160
6	.3750	.813	.355	.500	1.125	2.125	1.375	.4375-20	22	10,065	.150
7	.4375	.875	.355	.600	1.312	2.438	1.500	.5000-20	21	14,997	.250
8	.5000	.937	.411	.669	1.500	2.625	1.625	.6250-18	19	16,955	.390
10	.6250	1.200	.577	.844	1.750	2.875	1.750	.7500-16	19	24,352	.620
12	.7500	1.280	.630	.950	2.000	3.375	1.875	.8750-14	18	32,619	.900

Dimensions in inches

No Load Rotational Breakout Torque	
Bore Size	lbf.in
4	3.0 - 8.0 lb.in
5	3.0 - 10.0 lb.in
6	3.0 - 10.0 lb.in
7	4.0 - 10.0 lb.in
8	4.0 - 10.0 lb.in
10	4.0 - 10.0 lb.in
12	4.0 - 10.0 lb.in

