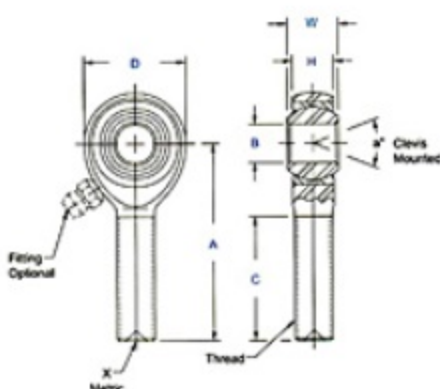


Item # AM-M5, AM-M & AB-M Series Male Rod Ends - Metric, High Strength Alloy - Precision - (Ptfе Liners Available)

- Body - Alloy steel, heat treated, protective coated for corrosion resistance.
- Race - Alloy steel, heat treated, protective coated for corrosion resistance.
- Ball - Alloy steel, heat treated, hard chrome plated.
- Grease Fittings available for sizes -M5 and up. Units are supplied without grease fittings. When a grease fitting is required, specify by adding suffix "Z" or "F". Ex.: AM-M5Z = Zerk Type Fitting AM-M5F = Flush Type Fitting.
- Load ratings apply only to rod ends without grease fittings. For load ratings with fittings, please consult our engineering department.
- Ptfе Liners available upon request. Specify by adding suffix "T". Ex.: AM-M5T.



[larger image](#)



[larger image](#)

Specifications

Thread Type	Right Hand
Thread Configuration	Male
B - Ball Bore	5.000 mm
W - Ball Width	8.00 mm
H - Head Width	6.25 mm
A - Base to Center	33.00 mm
D - Head Diameter	16.00 mm
Ball Diameter	11.10 mm
C - Thread Length	20.00 mm
Thread Size	M5 x 0.8
Thread Class	-6g
a₁ - Misalignment Angle Clevis Mounted	14 °
a₃ - Misalignment Angle Clevis Mounted	24 °
a₄ - Misalignment Angle Clevis Mounted	58 °
Ultimate Radial Static Load Capacity	12611 N
Approximate Brg. Weight	13 g
Type of Lubrication	None

AM-M & AB-M Note

- Grease Fittings available for sizes -M5 and up. Units are supplied without grease fittings. When a grease fitting is required, specify by adding suffix "Z" or "F". Ex.: AM-M5Z = Zerk Type Fitting AM-M5F = Flush Type Fitting.
- Load ratings apply only to rod ends without grease fittings. For load ratings with fittings, please consult our engineering department.
- Ptfе Liners available upon request. Specify by adding suffix "T". Ex.: AM-M5T.