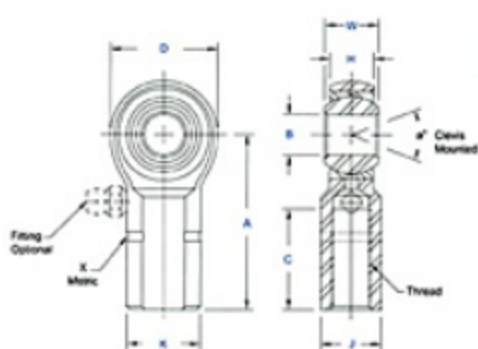


Item # AW-M10, AW-M & AG-M Series Female Rod Ends - Metric, High Strength Alloy - Precision - (Ptfе Liners Available)

- Body - Alloy steel, heat treated, protective coated for corrosion resistance.
- Race - Alloy steel, heat treated, protective coated for corrosion resistance.
- Ball - Alloy steel, heat treated, hard chrome plated.
- Left-hand threaded units have an identification groove near end of shank.
- Grease Fittings available for sizes -M5 and up. Units are supplied without grease fittings. When a grease fitting is required, specify by adding suffix "Z" or "F". Ex.: AW-M5Z = Zerk Type Fitting AW-M5F = Flush Type Fitting.
- Load ratings apply only to rod ends without grease fittings. For load ratings with fittings, please consult our engineering department.
- Ptfе Liners available upon request. Specify by adding suffix "T". Ex.: AW-M5T.



[larger image](#)



[larger image](#)

[Specifications](#) · [AW-M & AG-M Note](#)

Specifications

Thread Type	Right Hand
Thread Configuration	Female
B - Ball Bore	10.000 mm
W - Ball Width	14.00 mm
H - Head Width	10.50 mm
A - Base to Center	43.00 mm
D - Head Diameter	27.00 mm
K - Shank Diameter	19.00 mm
J - Wrench Flat Width	17.00 mm
Ball Diameter	19.05 mm
C - Thread Length	21.00 mm
Thread Size	M10 x 1.5
Thread Class	-6H
a₁ - Misalignment Angle Clevis Mounted	17 °
a₃ - Misalignment Angle Clevis Mounted	28 °
a₄ - Misalignment Angle Clevis Mounted	50 °
Ultimate Radial Static Load Capacity	50227 N
Approximate Brg. Weight	80 g
Type of Lubrication	None

AW-M & AG-M Note

- Left-hand threaded units have an identification groove near end of shank.
- Grease Fittings available for sizes -M5 and up. Units are supplied without grease fittings. When a grease fitting is required, specify by adding suffix "Z" or "F". Ex.: AW-M5Z = Zerk Type Fitting AW-M5F = Flush Type Fitting.
- Load ratings apply only to rod ends without grease fittings. For load ratings with fittings, please consult our engineering department.
- Ptfе Liners available upon request. Specify by adding suffix "T". Ex.: AW-M5T.