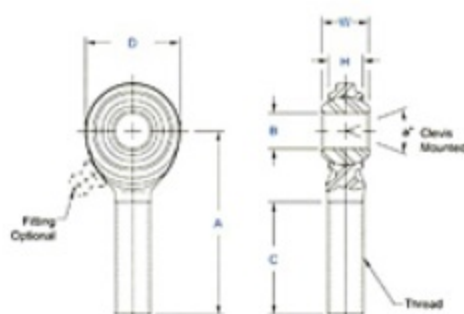


## Item # CB-7, CM & CB Series Male Rod Ends, General Purpose - Economy

- Body - Low carbon steel, protective coated for corrosion resistance.
- Ball - Alloy steel, heat treated, hard chrome plated.
- Grease Fitting available for sizes -6 and up. Units are supplied without grease fittings. When a grease fitting is required, specify by adding suffix "Z" or "F". Ex.: CM-6Z = Zerk Type Fitting CM-6F = Flush Type Fitting
- Load ratings apply only to rod ends without grease fittings. For load ratings with fittings, please consult our engineering department.
- Studded configuration available upon request. Specify by adding suffix "S". Ex.: CM-8S.



[larger image](#)



[larger image](#)

[Specifications](#) · [CM & CB Note](#)

### Specifications

Thread Type	Left Hand
Thread Configuration	Male
B - Ball Bore	.4375 in
W - Ball Width	.562 in
H - Head Width	.406 in
A - Base to Center	2.125 in
D - Head Diameter	1.125 in
Ball Diameter	.812 in
C - Thread Length	1.375 in
Thread Size	7/16-20
Thread Class	UNF-3A-LH
a - Misalignment Angle Clevis Mounted	21 °
Ultimate Radial Static Load Capacity	6,345 lbs
Approximate Brg. Weight	.15 lb
Options	Stud
Type of Lubrication	None

### CM & CB Note

For dimensional tolerances of listed features, see the PDF version of the catalog under the "View Product Catalogs" tab from the home page.