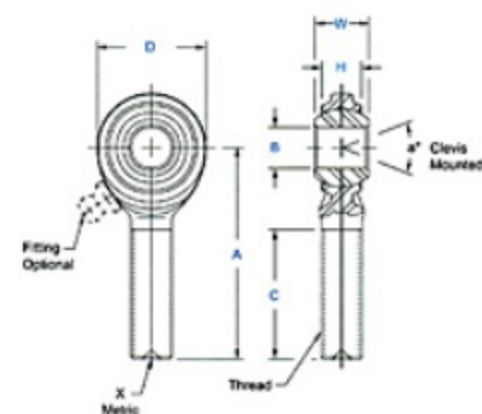


## Item # CB-M8, CM-M & CB-M Series Male Rod Ends - Metric, General Purpose - Economy

- Body - Carbon steel, protective coated for corrosion resistance.
- Ball - Alloy steel, heat treated, hard chrome plated.
- Grease Fittings available for sizes -M10 and up. Units are supplied without grease fittings. When a grease fitting is required, specify by adding suffix "Z" or "F". Ex.: CM-M10Z = Zerk Type Fitting CM-M10F = Flush Type Fitting.
- Load ratings apply only to rod ends without grease fittings. For load ratings with fittings, please consult our engineering department.



[larger image](#)



[larger image](#)

### [Specifications](#) · [CM-M & CB-M Note](#)

#### Specifications

<b>Thread Type</b>	Left Hand
<b>Thread Configuration</b>	Male
<b>B - Ball Bore</b>	8.000 mm
<b>W - Ball Width</b>	12.00 mm
<b>H - Head Width</b>	8.00 mm
<b>A - Base to Center</b>	42.00 mm
<b>D - Head Diameter</b>	22.25 mm
<b>Ball Diameter</b>	15.88 mm
<b>C - Thread Length</b>	25.00 mm
<b>Thread Size</b>	M8 x 1.25
<b>Thread Class</b>	-6g-LH
<b>a<sub>1</sub> - Misalignment Angle Clevis Mounted</b>	28 °
<b>a<sub>3</sub> - Misalignment Angle Clevis Mounted</b>	38 °
<b>a<sub>4</sub> - Misalignment Angle Clevis Mounted</b>	59 °
<b>Ultimate Radial Static Load Capacity</b>	13591 N
<b>Approximate Brg. Weight</b>	31 g
<b>Type of Lubrication</b>	None

#### CM-M & CB-M Note

- Grease Fitting available for sizes -M10 and up. Units are supplied without grease fittings. When a grease fitting is required, specify by adding suffix "Z" or "F". Ex.: CM-M10Z = Zerk Type Fitting CM-M10F = Flush Type Fitting.

- Load ratings apply only to rod ends without grease fittings. For load ratings with fittings, please consult our engineering department.