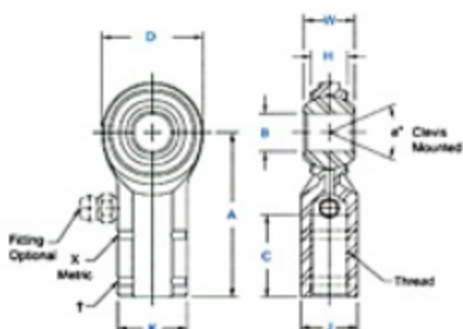


## Item # CW-M10, CW-M & CG-M Series Female Rod Ends - Metric, General Purpose - Economy

- Body - Carbon steel, protective coated for corrosion resistance.
- Ball - Alloy steel, heat treated, hard chrome plated.
- Left-hand threaded units have an identification groove near end of shank.
- Grease Fittings available for sizes -M6 and up. Units are supplied without grease fittings. When a grease fitting is required, specify by adding suffix "Z" or "F". Ex.: CW-M6Z = Zerk Type Fitting CW-M6F = Flush Type Fitting.
- Load ratings apply only to rod ends without grease fittings. For load ratings with fittings, please consult our engineering department.



[larger image](#)



[larger image](#)

[Specifications](#) · [CW-M & CG-M Note](#)

### Specifications

<b>Thread Type</b>	Right Hand
<b>Thread Configuration</b>	Male
<b>B - Ball Bore</b>	10.000 mm
<b>W - Ball Width</b>	14.00 mm
<b>H - Head Width</b>	9.50 mm
<b>A - Base to Center</b>	43.00 mm
<b>D - Head Diameter</b>	27.00 mm
<b>K - Shank Diameter</b>	19.00 mm
<b>J - Wrench Flat Width</b>	17.00 mm
<b>Ball Diameter</b>	19.05 mm
<b>C - Thread Length</b>	21.00 mm
<b>Thread Size</b>	M10 x 1.5
<b>Thread Class</b>	-6H
<b>a<sub>1</sub> - Misalignment Angle Clevis Mounted</b>	26 °
<b>a<sub>3</sub> - Misalignment Angle Clevis Mounted</b>	35 °
<b>a<sub>4</sub> - Misalignment Angle Clevis Mounted</b>	57 °
<b>Ultimate Radial Static Load Capacity</b>	22750 N
<b>Approximate Brg. Weight</b>	80 g
<b>Type of Lubrication</b>	None

### CW-M & CG-M Note

- Left-hand threaded units have an identification groove near end of shank.
- Grease Fittings available for sizes -M6 and up. Units are supplied without grease fittings. When a grease fitting is required, specify by adding suffix "Z" or "F". Ex.: CW-M6Z = Zerk Type Fitting CW-M6F = Flush Type Fitting.
- Load ratings apply only to rod ends without grease fittings. For load ratings with fittings, please consult our engineering department.