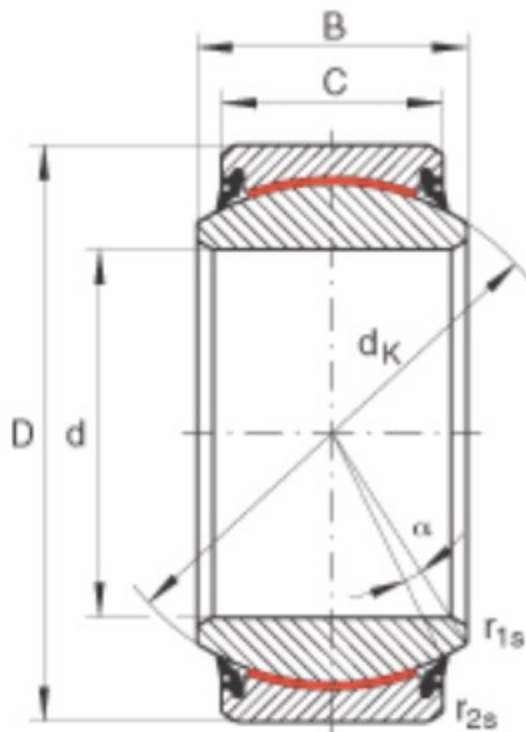


Product Type:[Radial Spherical Plain Bearings]

Series and bore diameter range: GE...ET-2RS 15~120



Design characteristics : Outer ring of carbon chromium steel , fractured , hardened and phosphated , with two seals at both sides , with sliding surface of PTFE fabric ; Inner ring of carbon chromium steel , hardened , sliding surface treated with hard chromium plating. Outer ring of the XT design axially split twice , held together by retaining rings.

Sliding contact surfaces: Steel/PTFE fabric

Permissible operating temperature range: $-30^{\circ}\text{C} \sim +130^{\circ}\text{C}$

轴承型号 Bearing number	外形尺寸 Dimensions mm								额定载荷 Load ratings kN		重量 Weight ≈kg
	d	D	B	C	dk	rs min	r1s min	α° ≈	动载荷 Dynamic	静载荷 Static	
GE15ET-2RS	15	26	12	9	22	0.3	0.3	8	25	59	0.026
GE17ET-2RS	17	30	14	10	25	0.3	0.3	10	32	75	0.040
GE20ET-2RS	20	35	16	12	29	0.3	0.3	9	45	104	0.064
GE25ET-2RS	25	42	20	16	35.5	0.6	0.6	7	85	204	0.115
GE30ET-2RS	30	47	22	18	40.7	0.6	0.6	6	110	263	0.149
GE35ET-2RS	35	55	25	20	47	0.6	1	6	140	338	0.228
GE40ET-2RS	40	62	28	22	53	0.6	1	7	175	419	0.318
GE45ET-2RS	45	68	32	25	60	0.6	1	7	225	540	0.421
GE50ET-2RS	50	75	35	28	66	0.6	1	6	275	665	0.562
GE55ET-2RS	55	85	40	32	74	0.6	1	7	355	852	0.864
GE60ET-2RS	60	90	44	36	80	1	1	6	430	1030	1.03
GE70ET-2RS	70	105	49	40	92	1	1	6	550	1320	1.57
GE80ET-2RS	80	120	55	45	105	1	1	6	705	1700	2.32
GE90ET-2RS	90	130	60	50	115	1	1	5	860	2070	2.79
GE100ET-2RS	100	150	70	55	130	1	1	7	1070	2570	4.44
GE110ET-2RS	110	160	70	55	140	1	1	6	1150	2770	4.83
GE120ET-2RS	120	180	85	70	160	1	1	6	1680	4030	8.11
GE140XT-2RS	140	210	90	70	180	1	1	7	1890	4530	11.2
GE160XT-2RS	160	230	105	80	200	1	1	8	2400	5760	14.1
GE180XT-2RS	180	260	105	80	225	1.1	1.1	6	2700	6480	18.5
GE200XT-2RS	200	290	130	100	250	1.1	1.1	7	3750	9000	28.4
GE220XT-2RS	220	320	135	100	275	1.1	1.1	8	4120	9900	35.7
GE240XT-2RS	240	340	140	100	300	1.1	1.1	8	4500	10800	39.7
GE260XT-2RS	260	370	150	110	325	1.1	1.1	7	5360	12870	51.5
GE280XT-2RS	280	400	155	120	350	1.1	1.1	6	6300	15120	64.9
GE300XT-2RS	300	430	165	120	375	1.1	1.1	7	6750	16200	77.6