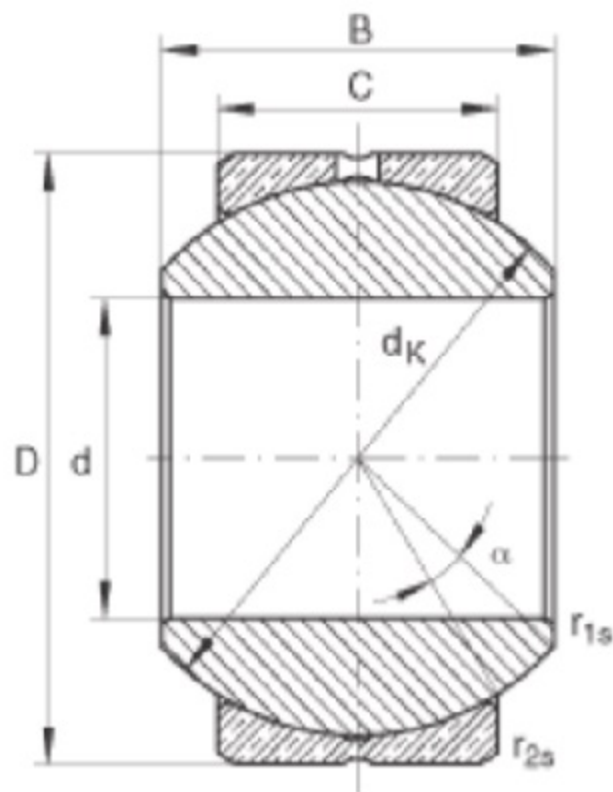


Product Type:[ Radial Spherical Plain Bearings]

Series and bore diameter range: GEBJ...S 5~30



Design characteristics : Outer ring of carbon steel , pressed around the inner ring ; Inner ring of carbon chromium steel , hardened , sliding surface treated with hard chromium plating.

Sliding contact surfaces: Steel/Steel

Permissible operating temperature range:  $-50^{\circ}\text{C} \sim +150^{\circ}\text{C}$

轴承 型号 Bearing number	外形尺寸 Dimensions mm								额定载荷 Load ratings kN		重量 Weight ≈kg
	d	D	B	C	dk	rs min	r1s min	$\alpha^{\circ}$ ≈	动载荷 Dynamic	静载荷 Static	
GEBJ5S	5	13	8	6	11.112	0.3	0.3	13	3.2	9	0.006
GEBJ6S	6	16	9	6.75	12.7	0.3	0.3	13	4.1	12	0.010
GEBJ8S	8	19	12	9	15.88	0.3	0.3	13	6.5	20	0.018
GEBJ10S	10	22	14	10.5	19.05	0.3	0.6	13	9.6	28	0.027
GEBJ12S	12	26	16	12	22.23	0.3	0.6	13	12	37	0.043
GEBJ14S	14	28	19	13.5	25.4	0.3	0.6	15	16	49	0.055
GEBJ16S	16	32	21	15	28.58	0.3	0.6	15	20	61	0.081
GEBJ18S	18	35	23	16.5	31.75	0.6	0.6	15	25	74	0.103
GEBJ20S	20	40	25	18	34.93	0.6	0.6	15	30	89	0.149
GEBJ22S	22	42	28	20	38.1	0.6	0.6	15	36	108	0.176
GEBJ25S	25	47	31	22	42.86	0.6	0.6	15	45	130	0.242
GEBJ30S	30	55	37	25	50.8	0.6	0.6	15	61	178	0.378