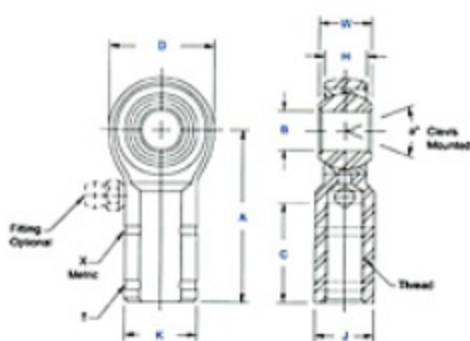


Item # MW-M5, MW-M & MG-M Series Female Rod Ends - Metric, General Purpose - Precision

- Body - Carbon steel, protective coated for corrosion resistance.
- Race - Carbon steel, protective coated for corrosion resistance.
- Ball - Alloy steel, heat treated, hard chrome plated.
- Left-hand threaded units have an identification groove near end of shank.
- Grease Fittings available for sizes -M5 and up. Units are supplied without grease fittings. When a grease fitting is required, specify by adding suffix "Z" or "F". Ex.: MW-M5Z = Zerk Type Fitting MW-M5F = Flush Type Fitting.
- Load ratings apply only to rod ends without grease fittings. For load ratings with fittings, please consult our engineering department.
- Ptfе Liners available upon request. Specify by adding suffix "T". Ex.: MW-M5T.



[larger image](#)



[larger image](#)

[Specifications](#) · [MW-M & MG-M Note](#)

Specifications

Thread Type	Right Hand
Thread Configuration	Female
B - Ball Bore	5.000 mm
W - Ball Width	8.00 mm
H - Head Width	6.25 mm
A - Base to Center	27.00 mm
D - Head Diameter	16.00 mm
K - Shank Diameter	11.00 mm
J - Wrench Flat Width	9.00 mm
Ball Diameter	11.10 mm
C - Thread Length	14.00 mm
Thread Size	M5 x 0.8
Thread Class	-6H
a₁ - Misalignment Angle Clevis Mounted	14 °
a₃ - Misalignment Angle Clevis Mounted	24 °
a₄ - Misalignment Angle Clevis Mounted	58 °
Ultimate Radial Static Load Capacity	7090 N
Approximate Brg. Weight	17 g
Type of Lubrication	None

MW-M & MG-M Note

- Left-hand threaded units have an identification groove near end of shank.
- Grease Fittings available for sizes -M5 and up. Units are supplied without grease fittings. When a grease fitting is required, specify by adding suffix "Z" or "F". Ex.: MW-M5Z = Zerk Type Fitting MW-M5F = Flush Type Fitting.
- Load ratings apply only to rod ends without grease fittings. For load ratings with fittings, please consult our engineering department.
- Ptfе Liners available upon request. Specify by adding suffix "T". Ex.: MW-M5T.