



# ABYT, ABYT-V

Spherical Bearings - Self-Lubricating  
High Misalignment



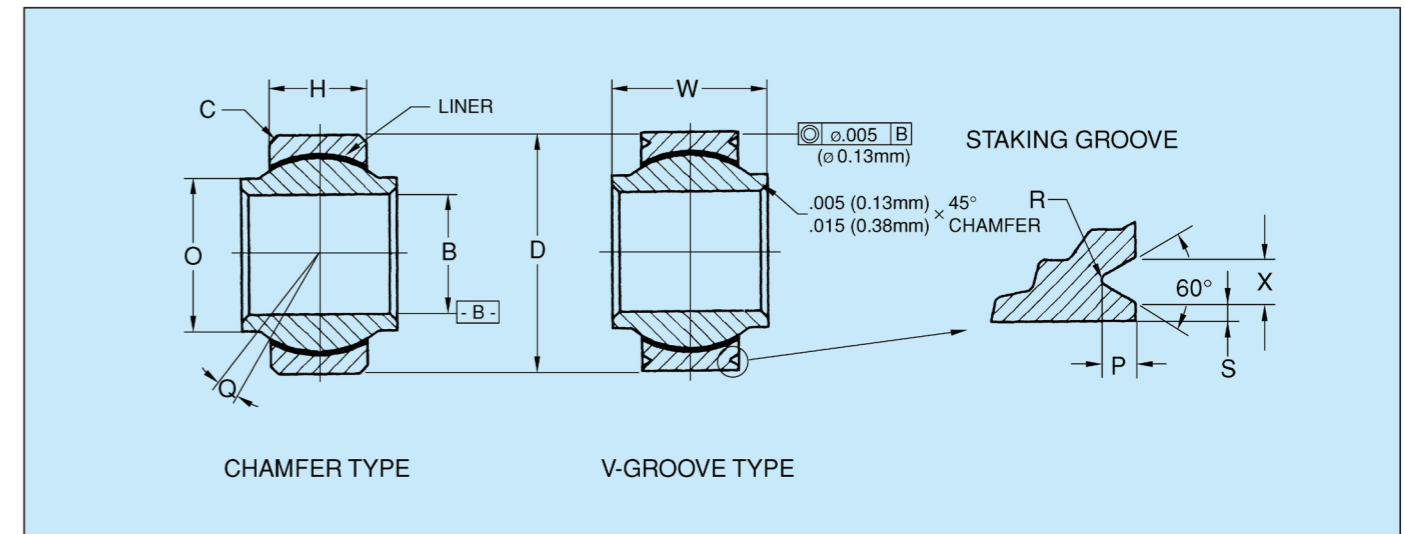
Temperature: Operating temperature range -65° to 250°F (-54° to 121°C). Broader temperature capabilities are achievable.

Options: Bearings with CRES 17-4PH races will be designated by "H" suffix.  
(Example: ABYT8VH)

Qualification: Liner approved to MIL-B-8942

### MATERIALS

Part No.	Ball	Race	Liner
Catalog No.	CRES 440C AMS 5630, 55-62 HRC	CRES 410 AMS 5613, 23-35 HRC	*Teflon/Fabric Bonded to race I.D. No. Lub. Required



NMB Part Number	Chamfered V-Grooved	(B) Bore Diameter		(D) Outside Diameter		(W) Ball Width		(H) Race Width		(O) Shoulder Diameter		(C) Race Chamfered X 45°		(Q) Misalignment	Staking Groove Data (X)				No Load Rotational Breakaway Torque		Static Limit Load Radial		Dynamic Osc. Radial Load		Approx. Weight									
		Inch	mm	Inch	mm	Inch	mm	Inch	mm	Inch	mm	Inch	mm		Inch	mm	Inch	mm	Inch	mm	Inch	mm	Inch	mm	Inch	mm	Inch	mm						
		+0.000	+0.000	+0.000	+0.000	+0.000	+0.000	+0.005	+0.13	Ref.	Ref.	Ref.	Ref.		+0.000	+0.00	Ref.	+0.000	+0.00	-0.015	-0.38	-0.010	-0.25	-0.010	-0.25	-0.010	-0.25	-0.010	-0.25	-0.010	-0.25			
ABYT3	ABYT3V	.1900	4.826	.5625	14.288	.500	12.70	0.210	5.33	.319	8.10	.437	11.10	.020	0.51	15°	.030	0.76	.015	0.38	.020	0.51	.045	1.14	.5-5.0	0.06-0.56	4100	18238	350	1557	2100	9341	.018	0.008
ABYT4	ABYT4V	.2500	6.350	.7400	18.796	.593	15.06	0.255	6.48	.390	9.91	.593	15.06	.022	0.56	24°	.030	0.76	.015	0.38	.020	0.51	.045	1.14	1.0-5.0	0.11-0.56	7100	31581	450	2002	3800	16902	.036	0.016
ABYT5	ABYT5V	.3125	7.938	.6875	17.462	.625	15.88	0.255	6.48	.418	10.62	.593	15.06	.022	0.56	20°	.030	0.76	.015	0.38	.020	0.51	.045	1.14	1.0-5.0	0.11-0.56	9000	40032	450	2002	3800	16902	.029	0.013
ABYT6	ABYT6V	.3750	9.525	.9060	23.012	.813	20.65	0.345	8.76	.512	13.00	.781	19.84	.032	0.81	23°	.030	0.76	.015	0.38	.020	0.51	.045	1.14	1.0-5.0	0.11-0.56	16000	71168	2000	8896	7200	32026	.068	0.031
ABYT7	ABYT7V	.4375	11.112	1.0000	25.400	.875	22.22	0.345	8.76	.618	15.70	.875	22.22	.032	0.81	22°	.030	0.76	.015	0.38	.020	0.51	.045	1.14	1.0-5.0	0.11-0.56	19300	85846	2000	8896	8100	36029	.095	0.043
ABYT8	ABYT8V	.5000	12.700	1.1250	28.575	.937	23.80	0.401	10.19	.730	18.54	1.000	25.40	.032	0.81	20°	.030	0.76	.015	0.38	.020	0.51	.045	1.14	1.0-5.0	0.11-0.56	26100	116093	3200	14234	10900	48483	.159	0.072
ABYT10	ABYT10V	.6250	15.875	1.3750	34.925	1.200	30.48	0.567	14.40	.856	21.74	1.250	31.75	.032	0.81	20°	.040	1.02	.020	0.51	.030	0.76	.055	1.40	1.0-5.0	0.11-0.56	44500	197936	7000	31136	20000	88960	.245	0.111
ABYT12	ABYT12V	.7500	19.050	1.5625	39.688	1.280	32.51	0.620	15.75	.970	24.64	1.375	34.92	.044	1.12	18°	.060	1.52	.020	0.51	.030	0.76	.080	2.03	1.0-5.0	0.11-0.56	54800	243750	8700	38698	24200	107642	.315	0.143
ABYT14	ABYT14V	.8750	22.225	1.7500	44.450	1.400	35.56	0.625	15.88	1.140	28.96	1.531	38.89	.044	1.12	18°	.060	1.52	.020	0.51	.030	0.76	.080	2.03	2.0-8.0	0.23-0.90	65800	292678	8850	39365	27600	122765	.430	0.195
ABYT16	ABYT16V	1.0000	25.400	2.1250	53.975	1.875	47.62	0.835	21.21	1.278	32.46	1.875	47.62	.044	1.12	21°	.060	1.52	.020	0.51	.030	0.76	.080	2.03	2.0-8.0	0.23-0.90	108000	480384	15900	70723	45600	202829	.831	0.377
ABYT20	ABYT20V	1.2500	31.750	2.5000	63.500	1.875	47.62	1.005	25.53	1.523	38.68	2.250	57.15	.044	1.12	21°	.060	1.52	.020	0.51	.030	0.76	.080	2.03	3.0-15.0	0.34-1.70	158000	702784	23000	102304	66600	296237	1.318	0.598
ABYT24	ABYT24V	1.5000	38.100	3.0000	76.200	2.250	57.15	1.175	29.84	1.800	45.72	2.672	67.87	.044	1.12	21°	.060	1.52	.020	0.51	.030	0.76	.080	2.03	3.0-15.0	0.34-1.70	220000	978560	32000	142336	93200	414554	2.223	1.008

\* A trade name of E.I. duPont de Nemours & Co., Inc.

#The load ratings listed for this series of bearings do not take into account pin deflection. Excess pin deflection can cause a crack to traverse the ball sphere. (See page 24).