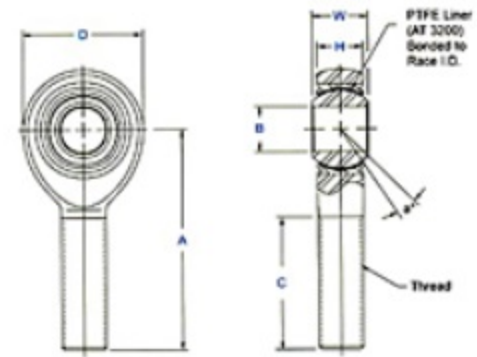


Item # PRM-8T, PRM-T & PRB-B Series Male Rod Ends - Ptfе Lined

- Body - 4340 steel, heat treated, protective coated for corrosion resistance.
- Race - Stainless steel (17-4 PH per AMS 5643), heat treated.
- Ball - 52100 steel (AMS 7440), heat treated, hard chrome plated. Manufacturer's option: 440C stainless steel, heat treated.
- Ptfе liner - (AT3200) Permanently bonded to race inside diameter. Qualified to SAE-AS81820 (formerly MIL-B-81820).
- All sizes solid shank type.



[larger image](#)



[larger image](#)

Specifications

Thread Type	Right Hand
Thread Configuration	Male
B - Ball Bore	.5000 in
W - Ball Width	.625 in
H - Head Width	.515 in
A - Base to Center	2.438 in
D - Head Diameter	1.337 in
Ball Diameter	.875 in
C - Thread Length	1.468 in
Thread Size	1/2-20
Thread Class	UNJF-3A
a - Misalignment Angle	9 °
Ultimate Radial Static Load Capacity	23310 lb
No Load Rotational Breakaway Torque	1 to 15 in·lb