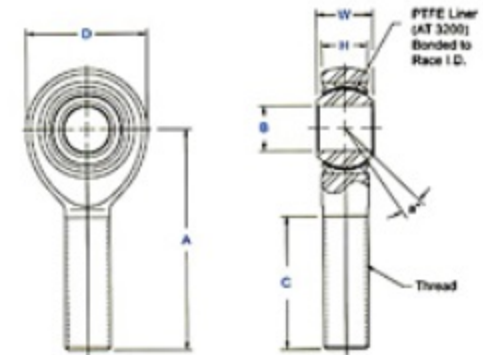


Item # PRXM-7T, PRXM-T & PRXB-B Series Male Rod Ends - Ptfе Lined

- Body - 4340 steel, heat treated, protective coated for corrosion resistance.
- Race - Stainless steel (17-4 PH per AMS 5643), heat treated.
- Ball - 52100 steel (AMS 7440), heat treated, hard chrome plated. Manufacturer's option: 440C stainless steel, heat treated.
- Ptfе liner - (AT3200) Permanently bonded to race inside diameter. Qualified to SAE-AS81820 (formerly MIL-B-81820).
- All sizes solid shank type.



[larger image](#)



[larger image](#)

Specifications

| | |
|--------------------------------------|---------------|
| Thread Type | Right Hand |
| Thread Configuration | Male |
| B - Ball Bore | .4375 in |
| W - Ball Width | .562 in |
| H - Head Width | .452 in |
| A - Base to Center | 2.125 in |
| D - Head Diameter | 1.150 in |
| Ball Diameter | .781 in |
| C - Thread Length | 1.281 in |
| Thread Size | 1/2-20 |
| Thread Class | UNJF-3A |
| a - Misalignment Angle | 10 ° |
| Ultimate Radial Static Load Capacity | 14049 lb |
| No Load Rotational Breakaway Torque | 1 to 15 in-lb |