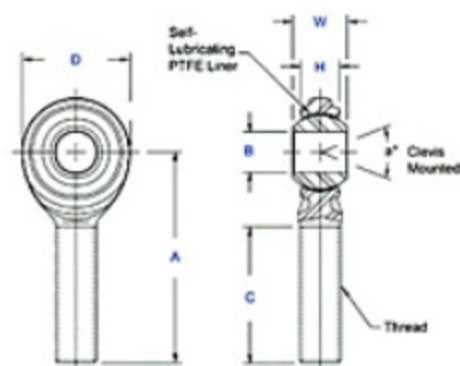


Item # VCAM-6, VCAM & VCAB Series Male Rod Ends, High Strength - Self-Lubricating Economy Series

- Body - Alloy steel, heat treated, protective coated for corrosion resistance.
- Ball - Alloy steel, heat treated, hard chrome plated.
- Bushing -Steel backed, PTFE composite.
- Studded configuration available upon request. Specify by adding suffix "S". Ex.: VCAM-8S.



[larger image](#)



[larger image](#)

Specifications

Thread Type	Right Hand
Thread Configuration	Male
B - Ball Bore	.3750 in
W - Ball Width	.500 in
H - Head Width	.359 in
A - Base to Center	1.938 in
D - Head Diameter	1.000 in
Ball Diameter	.687 in
C - Thread Length	1.250 in
Thread Size	3/8-24
Thread Class	UNF-3A
a - Misalignment Angle Clevis Mounted	18 °
Ultimate Radial Static Load Capacity	6533 lb
Approximate Brg. Weight	.11 lb
Options	Stud