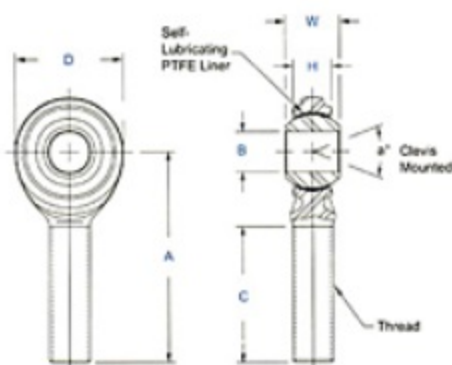


## Item # VCB-12, VCM & VCB Series Male Rod Ends, General Purpose - Economy - Self-Lubricating

- Body - Low carbon steel, protective coated for corrosion resistance.
- Ball - Alloy steel, heat treated, hard chrome plated.
- Bushing - Steel backed, PTFE composite.
- Studded configuration available upon request. Specify by adding suffix "S". Ex.: VCM-8S.



[larger image](#)



[larger image](#)

[Specifications](#) - [VCM & VCB Note](#)

### Specifications

<b>Thread Type</b>	Left Hand
<b>Thread Configuration</b>	Male
<b>B - Ball Bore</b>	.7500 in
<b>W - Ball Width</b>	.875 in
<b>H - Head Width</b>	.593 in
<b>A - Base to Center</b>	2.875 in
<b>D - Head Diameter</b>	1.750 in
<b>Ball Diameter</b>	1.250 in
<b>C - Thread Length</b>	1.750 in
<b>Thread Size</b>	3/4-16
<b>Thread Class</b>	UNF-3A-LH
<b>a - Misalignment Angle Clevis Mounted</b>	20 °
<b>Ultimate Radial Static Load Capacity</b>	12280 lb
<b>Approximate Brg. Weight</b>	.57 lb
<b>Options</b>	Stud

### VCM & VCB Note

For dimensional tolerances of listed features, see the PDF version of the catalog under the "View Product Catalogs" tab from the home page.