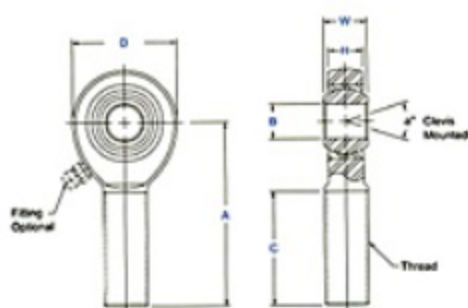


## Item # XM-6Z, XM & XB Series Male Rod Ends, Extra Strength - Heavy Duty Shank (Ptfе Liners Available)

- Body - Carbon Steel protective coated for corrosion resistance.
- Race - Alloy steel, heat treated protective coated for corrosion resistance. (Carbon steel with Ptfе liners).
- Ball - Alloy steel, heat treated, hard chrome plated.
- All sizes solid shank type.
- Grease Fitting available for all sizes. Units are supplied without grease fittings. When a grease fitting is required, specify by adding suffix "Z" or "F". Ex.: XM-6Z = Zerk Type Fitting XM-6F = Flush Type Fitting.
- Load ratings apply only to rod ends without grease fittings. For load ratings with fittings, please consult our engineering department.
- Studded configuration available upon request. Specify by adding suffix "S". Ex.: XM-8S.
- Ptfе Liners available upon request. Specify by adding suffix "T". Ex.: XM-8T.



[larger image](#)



[larger image](#)

### Specifications

Thread Type	Right Hand
Thread Configuration	Male
B - Ball Bore	.3750 in
W - Ball Width	.500 in
H - Head Width	.406 in
A - Base to Center	2.125 in
D - Head Diameter	1.125 in
Ball Diameter	.719 in
C - Thread Length	1.375 in
Thread Size	7/16-20
Thread Class	UNF-3A
a - Misalignment Angle Clevis Mounted	10.00 °
Ultimate Radial Static Load Capacity	Consult Engineering Department
Approximate Brg. Weight	.16 lb
Options	Stud
Type of Lubrication	Zerk Fitting

### XM & XB Note

- All sizes solid shank type.
- Grease Fitting available for all sizes. Units are supplied without grease fittings. When a grease fitting is required, specify by adding suffix "Z" or "F". Ex.: XM-6Z = Zerk Type Fitting XM-6F = Flush Type Fitting.
- Load ratings apply only to rod ends without grease fittings. For load ratings with fittings, please consult our engineering department.
- Studded configuration available upon request. Specify by adding suffix "S". Ex.: XM-8S.
- Ptfе Liners available upon request. Specify by adding suffix "T". Ex.: XM-8T.