

# E-Type

## {HIGH PERFORMANCE RACING SERIES}

MBWTE, MBWTE-V

### Product Data Sheet – MINEBEA – NMB

Metric Spherical Bearing  
Wide Series Self Lubricating

Ball  
Corrosion resistant steel  
AMS 5630. Rc 55 to 62

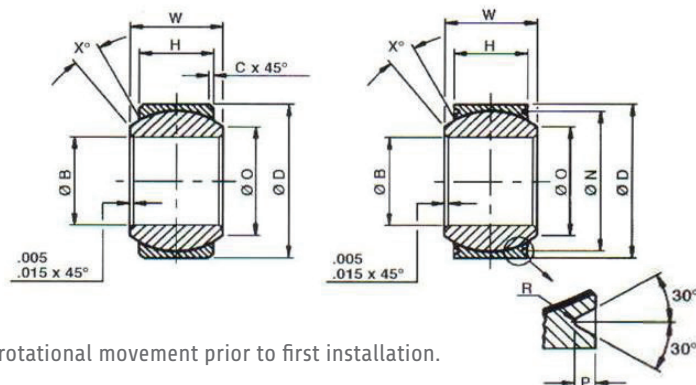
Outer race  
Corrosion resistant steel  
CRES 410, AMS 5613, 23-35 HRC or equivalent

Liner Rose 'D' Type Enhanced  
In accordance with SAE AS 81820

Part Number	B	D	W	H	O	C	P	R	X	Static Ultimate load Radial Load	Static Ultimate load Axial Load	Dynamic Radial Load	Approx. Weight
	Bore Dia	Race O/ dia	Ball Width	Race Width	Shoulder Dia	Race Chamfer	Groove Depth	Groove Root Radius	Angle				
MBWTE, MBWTE-V	+ 0.018	+ 0.000	+ 0.000	+ 0.13	(Ref)	+ 0.200	+ 0.000	+ 0.000	Deg	(kN)	(kN)	(kN)	(g)
	- 0.000	-0.013	-0.13	- 0.13		- 0.200	- 0.40	- 0.250					
12	12.00	26.000	16.000	13.000	15.400	0.600	1.000	0.500	10	175.040	32.360	67.100	46
14	14.00	28.000	17.000	14.000	16.700	0.600	1.000	0.500	8	214.760	38.240	77.440	55

Dimensions in metric

No Load Rotational Breakout Torque	
Bore Size	Nm
12-14	0.030-0.90



NOTE \* Bearings should have the inner ball moved in all directions, including a rotational movement prior to first installation.